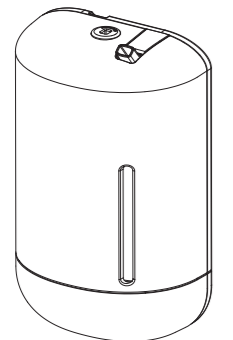


INSTRUCTION



D50 Scent Diffuser User Manual

Introduction

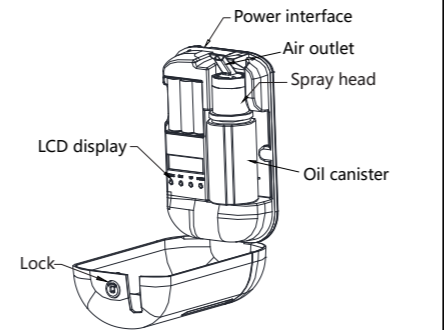
D50 aroma diffuser is designed with two-fluid atomization and plug-in atomization module technology, built-in PCB intelligent control program, and is carefully designed with two power supply modes of battery and power supply. The product is exquisite and compact, and the fragrance is stable and accurate. It can be installed without external power connection. The device adopts wall-mounted design, which is safe and convenient, suitable for various small places, such as passages, passenger elevators, reception rooms and other places.

Attentions

- Please read this instruction manual carefully before using the equipment, and keep it carefully.
1. Please use the power adapter pre-configured by our company to ensure the normal operation of the device and avoid damage to the device.
 2. Do not use overloaded power sockets or damaged power adapters, which may endanger your safety and avoid fire hazards; if found, please replace them in time.
 3. Please use regular batteries that have passed national safety requirements certification.
 4. If you are not a technician, please do not try to modify, disassemble or repair the equipment to avoid damage to the equipment. If the equipment is abnormal, please check whether it is operated according to the normal use requirements, or check according to the troubleshooting. If it cannot be solved, please contact the sales team in time Business contacts.
 5. When installing and using the equipment, make sure that the vertical direction of the equipment is perpendicular to the horizontal direction.
 6. Do not move or shake the device during use. Please install (or place) the device in accordance with the requirements for use of the device. Do not invert, tilt or rotate the device. If the device needs to be moved to other locations for use or transportation, please control the device before moving carry out maintenance and cleaning (see equipment maintenance for details).

Parameters

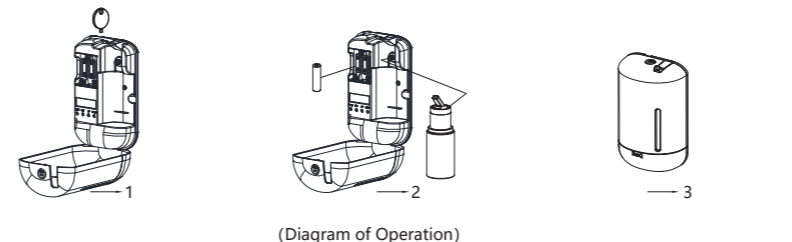
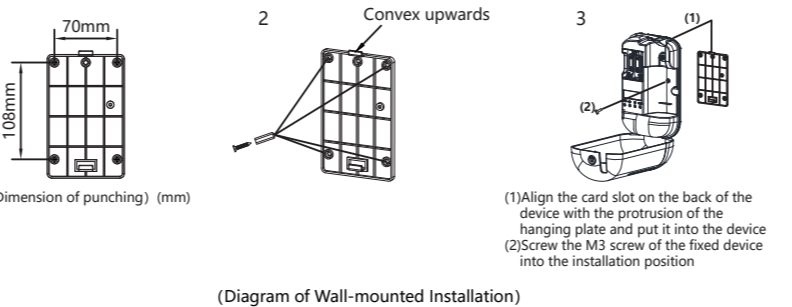
Model	D50
Size	W112*D71*H182 (mm)
Capacity	100ml
N.W	360G
Coverage	100m ³
Voltage	3 pieces of #5 battery/DC5V-1A
Power	2.5W
Working volume	≤57db
Package	W190*D160*H90 (mm)



Accessories

Item	Power adapter	Seal ring	Key	User manual	Hanging panel	M3 screw	Expansion screw
Diagram							

Installation



1. Insert the key to open the cover.
2. Put three 5# batteries into the battery slot as required (or connect to DC power supply).
3. Pull out the atomization head and essential oil bottle, remove the essential oil bottle, add essential oil to the essential oil bottle (please do not exceed the rated capacity), tighten it after adding, and insert the atomization head and essential oil bottle into the device.
4. Set the working program, close and lock the cover, and the equipment starts to use.

Instruction of Essential Oil

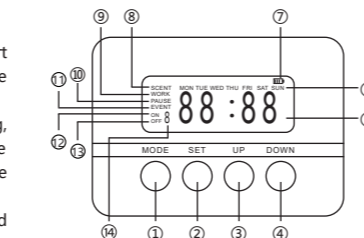
1. Before refill canister with essential oil, please turn off the device for 5 minutes till oil of atomizer back to canister then take off the oil canister.
2. It's recommended to control the amount of essential oil and run out within 45 days, in order to avoid the deterioration of essential oils by oxidation.

Precautions



Description of LCD display

- ① **[MODE]**: enter the working mode setting, set the start of each time period in turn time, end time, fragrance time, working time.
- ② **[SET]**: enter the setting state. Such as time setting, date setting, diffused time period setting, fragrance diffusion duration setting, fragrance diffusion pause time setting, etc.
- ③ **[UP]**: fine-tune upwards. Adjustable time data, diffused data, work date selection, etc.
- ④ **[DOWN]**: fine-tune down. Adjustable time data, diffused data, work date selection, etc.
- ⑤ **Time**: The system time is a 24-hour system. Press SET until it flashes, and then press the [UP]/[DOWN] to correct the time.
- ⑥ **Week**: Press [SET] till flashes, and adjust [UP]/[DOWN] to choose a combination of working days ((MON to WED) (TUE to THU) (MON to FRI) (SAT, SUN) (MON to SAT) (MON to SUN) (MON)(TUE) (WED)(THU)(FRI) (SAT) (SUN) (MON, WED, FRI) (TUE, THU, SAT)).



Program setting

1. Turn on the power, press and hold the MODE button for 2 seconds to start the LCD display.
2. The LCD screen displays the current hour, minute, and week. Display the current working status at the same time: WORK ON (indicating work) or PAUSE ON (indicating work pause) or PAUSE OFF (indicating stop running).
3. Press the SET key, the UP key and the DOWN key to change the hours, minutes, and week settings.
4. Press the MODE key to set the machine running time period and the equipment work/pause time period. For example: press the MODE key for the first time: enter the first running time period start time setting, then press the SET key, the UP key, or the DOWN key to set the starting hour, minute, and week. Press the MODE key for the second time: enter the end time setting of the first running time period. At this time, press the SET key, the UP key, or the DOWN key to set the ending hours or minutes respectively. Press the MODE key for the third time: the display is the working time of the device, which is fixed for 3 seconds and cannot be adjusted. Press the MODE key for the fourth time: you can set the device's pause time, press the UP key and the DOWN key to set, and the pause time can be 100-900 seconds.
5. In the same way, follow 3 steps to complete each setting of 2/3/4 running time period in sequence.
6. Constantly press the MODE key for 10 seconds to restore the initial settings: the start time of the first operating period of the device is 8:00, the end time is 22:00, the working time is 3 seconds, and the pause time is 300 seconds. There is no setting for the 2/3/4 running time period.
7. If there is no key operation within 10 seconds to enter the power saving mode, the screen will not display.
8. When the battery is almost empty, a red LED indicator will light up as a reminder.

Tips

The time system is 24-hour, and the valid setting is 0:00-23:59. If the work period exceed 00:00, then it need to set into two work periods respectively. For example, if the ON time is 19:00 and OFF time is 3:00, then setting must be two work periods: 1st work period is 19:00-23:59; 2nd period is 0:00-03:00. The work period cannot be set repeatedly during same workday, otherwise the system will not recognize it.

Maintenance

In order to ensure the best diffusing effect, please check and maintain the device every six month, or when you replace a new fragrance, or when the diffusing effect get weak as the following steps.

1. Take off the oil canister which is spent.
2. Filling industrial alcohol into the canister and clean it.
3. After clean the oil canister, refill canister with little alcohol and install it on the device then make the device stay in working status for 5-8 minutes.
4. Turn off the power when finishing cleaning.

Malfunction Debugging

Please try to solve the problem as below before fixing the machine.

Breakdown	Solution	Breakdown	Solution
Not working	-Whether the positive and negative poles of the battery are installed correctly, and whether the battery power is sufficient -Please check if the power supply is DC5V-1A and the DC terminal is correct insert -The working program of the equipment setting, whether it is currently in working hours	Oil leakage	-Whether the atomizer head is damaged -Whether the gasket is damaged and needs to be replaced -Whether the essential oil bottle and the atomizing head are tightened
No mist Mist gets weak	- Check if air pump works or not, and if there is airflow from air outlet. - Check if atomizer core and oil tube is loose or blocked. - Check if seal ring gets damaged or fall off.	Abnormal noise	- Check if air pump is loose, please fix it correctly. - Check if air pump is damaged, please replace a new one.

After-sales Service

The warranty is 1 year from the date of sale, not including device shell, adapter, electric wires, seal ring and the other vulnerable parts, as well as the damage caused by human or accident. Permanent maintaining for value will be provided if the machine exceed the warranty. If there is any issue of after-sales, please contact authorized sales service in corresponding area, or contact Sales Center directly.

Warranty Card

This card is the warranty for device's quality, please fill it with actual information.

Warranty card one		Warranty card two	
Start Date of Warranty Period		Start Date of Warranty Period	
Malfunction Description		Malfunction Description	
Date of Verify		Date of Verify	
Maintenance Result		Maintenance Result	
Maintainer's Signature		Maintainer's Signature	